

TALOS

SPARE PARTS CATALOG

TALOS – SPARE PARTS

Published by:

CPI | Crane Payment Innovations
3222 Phoenixville Pike, Suite 200
Malvern, PA 19355
USA

CPI® Talos™ – Bill Validator – Spare Parts Catalog

© 2019 CPI. All rights reserved

CPI, Talos are trademarks of Crane Payment Innovations, Inc.

Except as permitted under the relevant local legislation, no part of this publication may be copied, transmitted, transcribed or distributed in any form or by any means, or stored in a database or retrieval system, or translated into any language (natural or computer) without the prior written permission of Crane Payment Innovation (CPI).

Crane Payment Innovations reserves the right to change the product specifications at any time. While every effort has been made to ensure that the information in this publication is accurate, CPI disclaims any liability for any direct or indirect losses (howsoever caused) arising out of use or reliance on this information.

This document does not necessarily imply product availability.

Information in this document may change without notice.

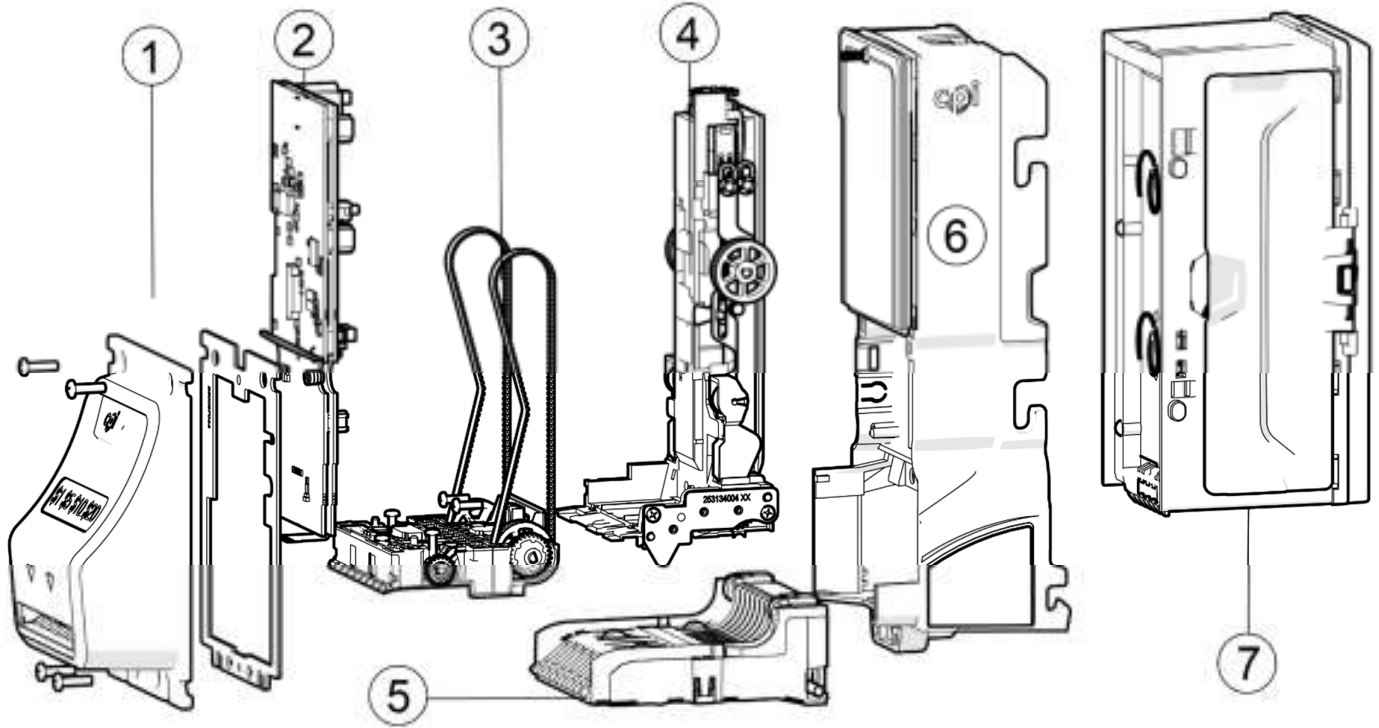
Part Number	[number here]	Release [version number]
This Edition	[edition date]	
PCN NUMBER	[PCN number]	
FILE REF	[Product Name] [Document Type] [Part Number] [Version Number]	

Table of Contents

Exploded View	4
Bezel Assembly	5
Upper Sensor Assembly	6
Stacker Assembly	6
Control Board	8
Lower Sensor Assembly	9
Chassis	10
Magazine Assembly	11
Rain Shield	12
Fine print	13
<i>Owner's Responsibility</i>	13
<i>CPI, Inc. Responsibility</i>	13
<i>Service</i>	13

TALOS – SPARE PARTS

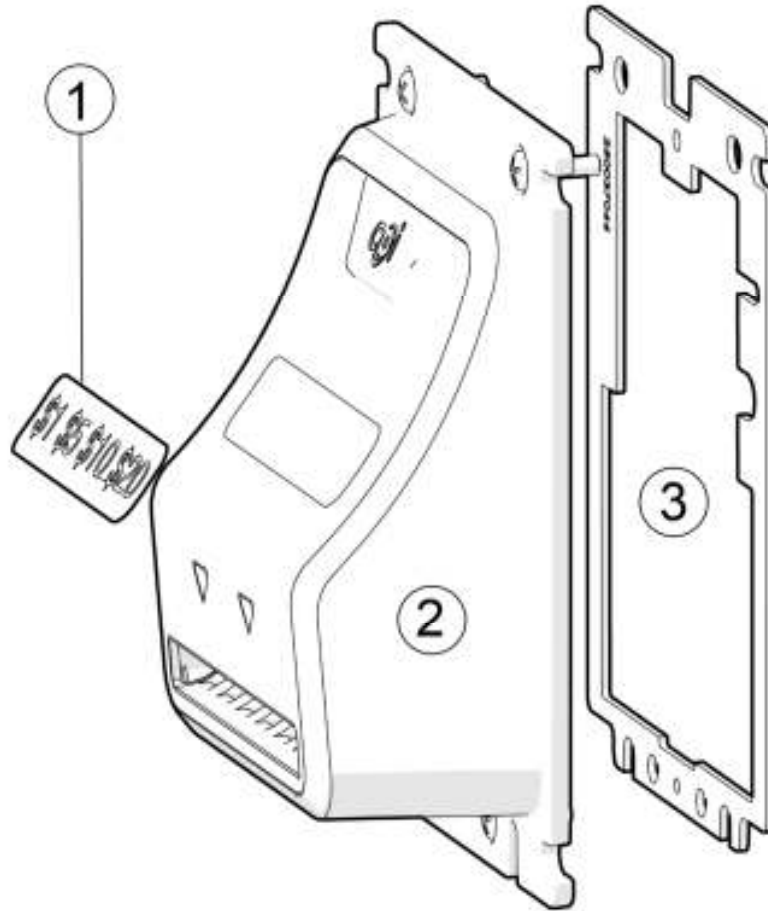
EXPLODED VIEW



Item	Spare Part Number	Spare Part Description
1	253167002	S Txxx, BEZEL KIT, COMPACT
2	111558740P	S T7x2 CONTROL BOARD, 24v
3	253117013P	S Txxx SENSOR ASSEMBLY, UPPER
4	253118004P	S Txxx STACKER ASSEMBLY
5	253119012P	S Txxx SENSOR ASSEMBLY, LOWER
6	253116022P	S Txxx MAIN HOUSING w/INSERT
7	253115019P	S Txxx MAGAZINE, 500 NOTE w/LABEL

TALOS – SPARE PARTS

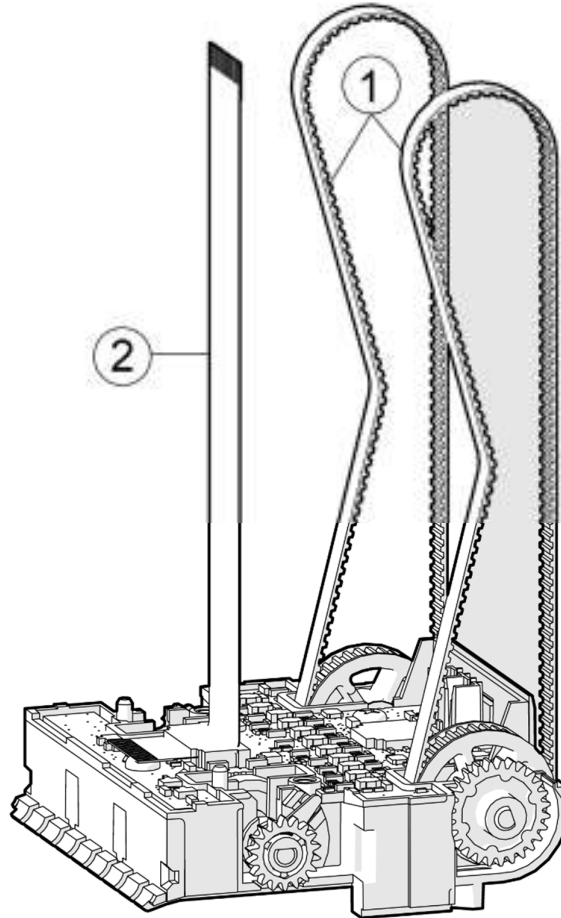
BEZEL ASSEMBLY



Item	Spare Part Number	Spare Part Description
1	253155015P	S Txxx LABEL, BEZEL, DENOMINATION (pk25)
2	253114023P	S Txxx, BEZEL ASSEMBLY, COMPACT
3	250037066P	S Txxx MTG PLATE, COMPACT, CONTACTLESS (pk5)

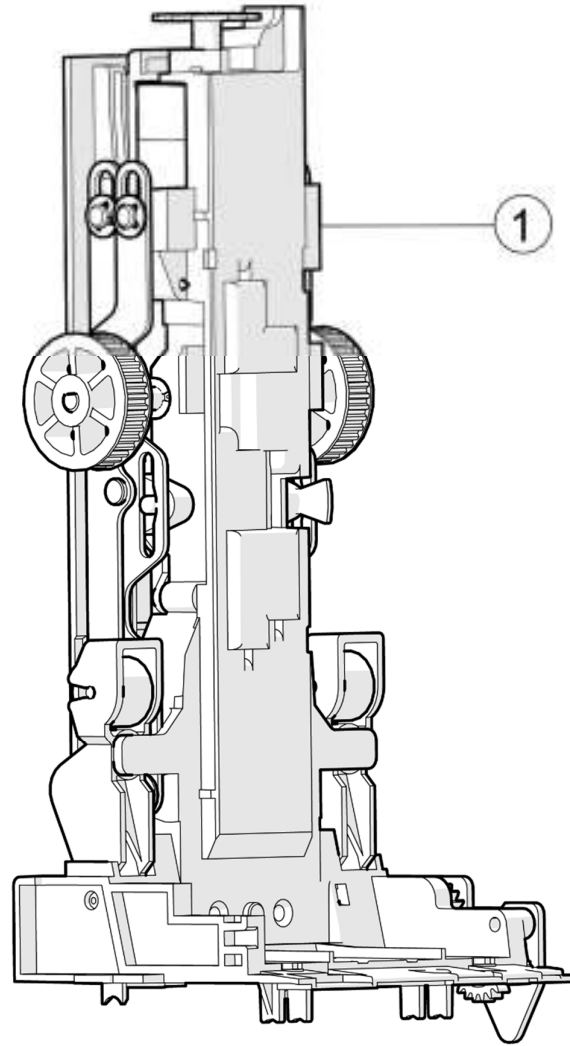
TALOS – SPARE PARTS

UPPER SENSOR ASSEMBLY



Item	Spare Part Number	Spare Part Description
	253117013P	S Txxx SENSOR ASSEMBLY, UPPER
1	250028162P	S Txxx BELT,TIMING, 143T, KEVLAR (pk100)
2	253172001P	S Txxx CABLE, RIBBON, UPPER SENSOR (pk10)

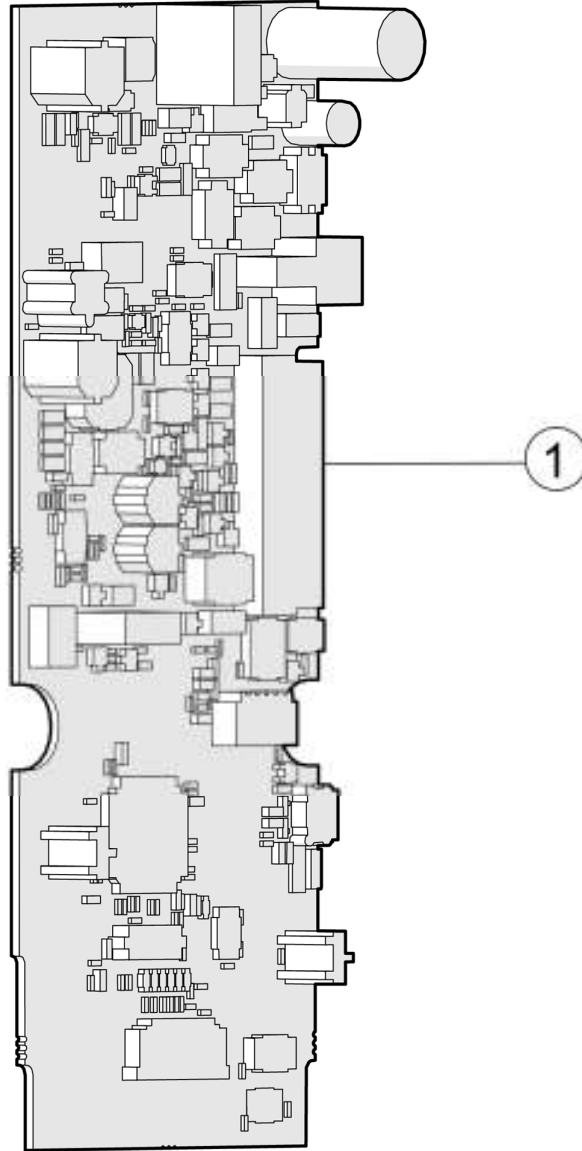
TALOS – SPARE PARTS



Item	Spare Part Number	Spare Part Description
1	253118004P	S Txxx STACKER ASSEMBLY

TALOS – SPARE PARTS

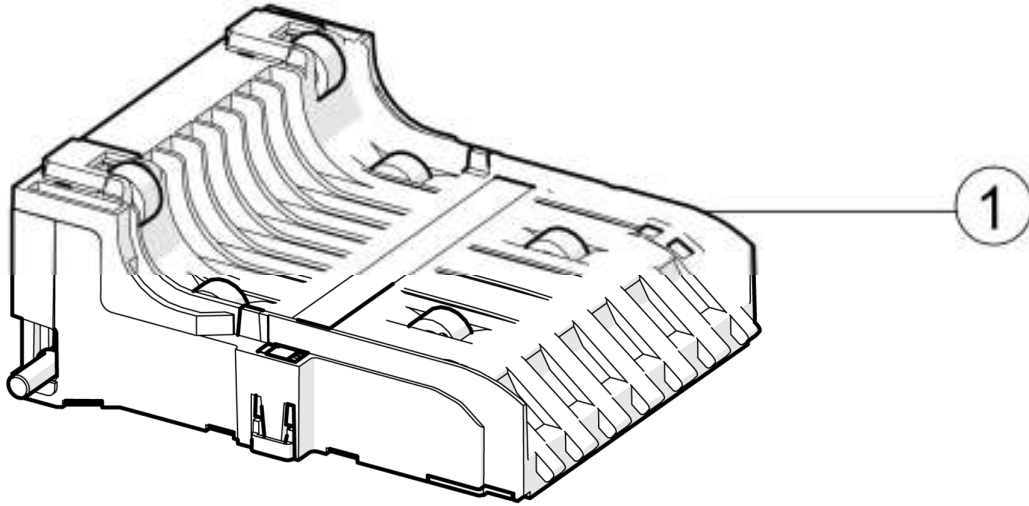
CONTROL BOARD



Item	Spare Part Number	Spare Part Description
1	111558740P	S T7x2 CONTROL BOARD, 24v

TALOS – SPARE PARTS

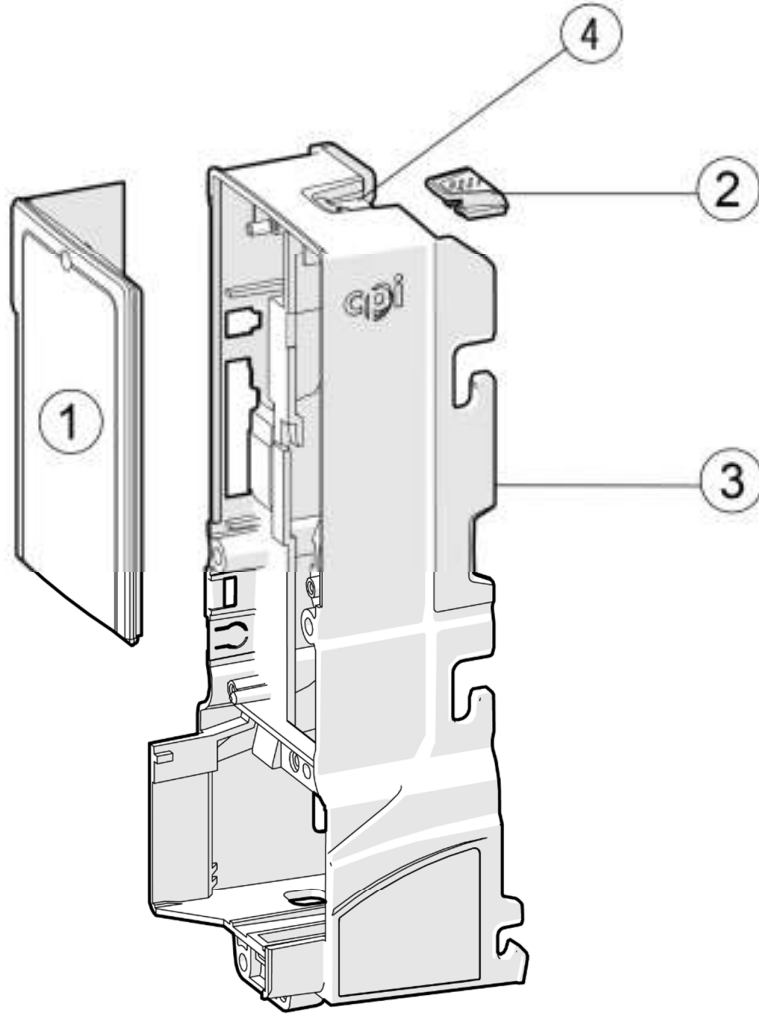
LOWER SENSOR ASSEMBLY



Item	Spare Part Number	Spare Part Description
1	253119012P	S Txxx SENSOR ASSEMBLY, LOWER

TALOS – SPARE PARTS

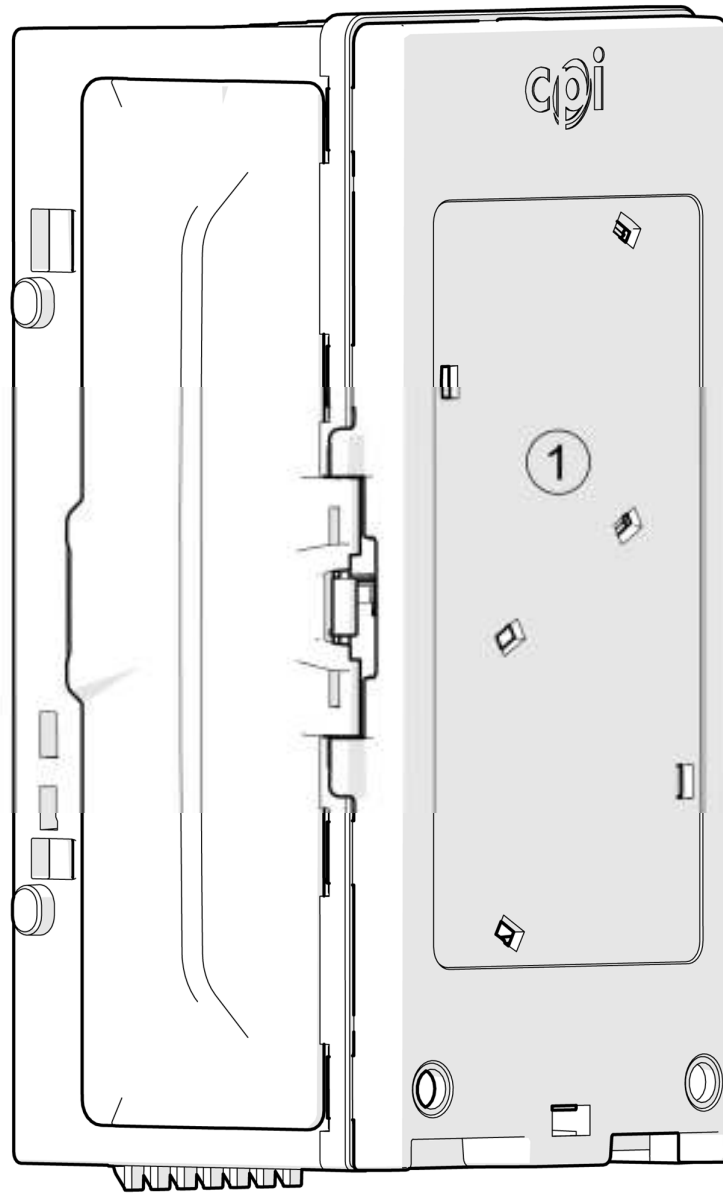
CHASSIS



Item	Spare Part Number	Spare Part Description
1	253120030P	S Txxx COVER, CHASSIS
2	253128031P	S 27xx LATCH, MAGAZINE, YELLOW (pk50)
3	253116022P	S Txxx MAIN HOUSING W INSERT
4	250044003P	S 2xxx SPRING, MAGAZINE LATCH (pk100)

TALOS – SPARE PARTS

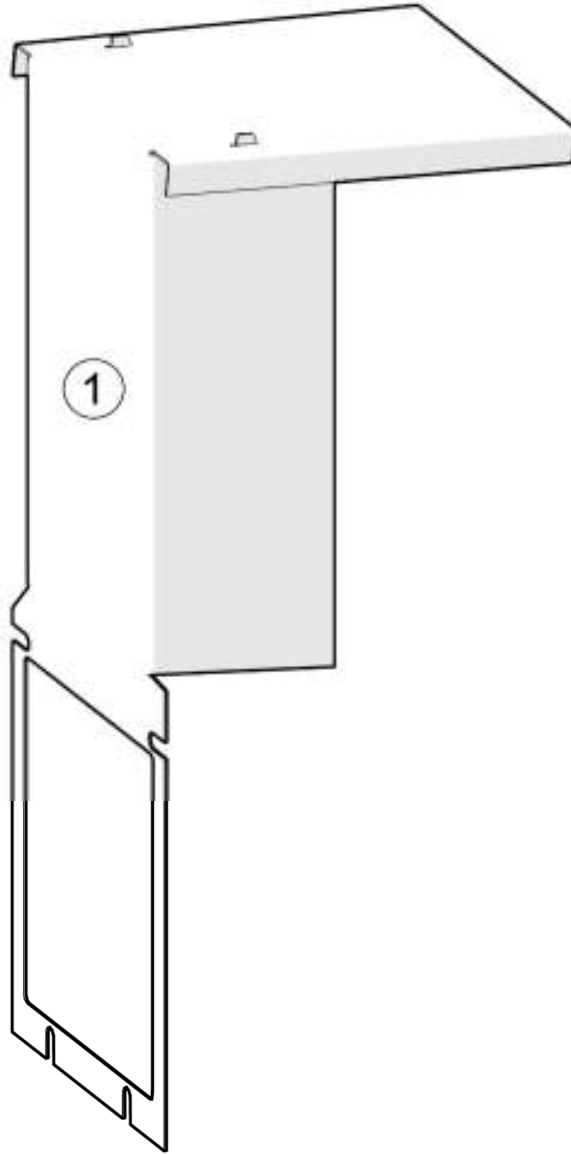
MAGAZINE ASSEMBLY



Item	Spare Part Number	Spare Part Description
1	253115019P	S Txxx MAGAZINE, 500 NOTE w/LABEL

TALOS – SPARE PARTS

RAIN SHIELD



Item	Spare Part Number	Spare Part Description
1	253129083P	S Txxx SHIELD ATTACHMENT, LOW-ENTRY (pk 10)

TALOS – SPARE PARTS

FINE PRINT

Owner's Responsibility

Upon request, owner must show proof of purchase when submitting equipment for service during the warranty period. Owner will assume all freight charges for shipment of equipment to an authorized service center while under warranty, and to and from the service center when outside the warranty period. Owner is responsible for out-of-warranty repair expenses, chargeable at prevailing rates set by authorized service centers. Complete written information must be supplied to the authorized service center for all items returned, including serial and model number, and a description of the malfunction.

CPI, Inc. Responsibility

During the warranty period, CPI, Inc. will repair or replace any parts which fail to function properly because of defects in material or workmanship. CPI, Inc. shall not be liable for any consequential damages as a result of defects in material or workmanship.

Damage due to electrical overload, negligence, accidents, misuse, abuse, vandalism, or an act of God is not covered by CPI, Inc. warranty. Any alteration of the product after manufacture voids the warranty in its entirety.

The product to be repaired under warranty must be delivered to an authorized service center. Repairs or installation at the owner's location are not included in the warranty. During the warranty period, CPI, Inc. will assume freight charges for return of the owner's equipment from the closest authorized service center via UPS or common carrier.

Service

For service information, contact CPI, Inc. or any CPI authorized service center. Parts and labor that are CPI, Inc. responsibility will be provided without charge. Other service is at owner's expense.

For service information, or the name of the authorized service center nearest you, contact:

CPI Customer Service

1-800-345-8215

CPI Technical Support

1-800-345-8172 or cranepi.com/support